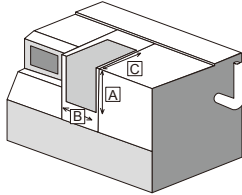


How to select the model

How to calculate required volume?

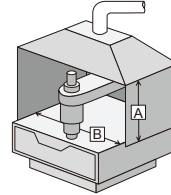
In case of high airtightness for the source of mist



$$Q = (A \times B \times C) \times N$$

Q: Necessary amount of throughput for the mist collector (ft³/min)
 (AxBxC): Volume of processing room (ft³)
 N: Ventilation frequency per minute (N/min)
 Ventilation frequency is 4 to 8 times and is set arbitrarily

In case of low airtightness for the source of mist



$$Q = A \times B \times V \times 60$$

Q: Necessary amount of throughput for the mist collector (ft³/min)
 AxB: The opening area (ft²)
 V: Wind velocity (ft/sec)

Recommend for the model selection

● Vertical & Horizontal Machining Center

TAPER	X axis	Model
No.30, 40	20"	CT-1300
No.40	30", 40"	CT-1700
No.40	50"	CT-1700
No.40	60"	CT-1700
No.50	64"	CT-2400
No.50	84"	CT-2400
No.40	Table 15.75"	CT-1700
No.50	Table 31.50"	CT-2400

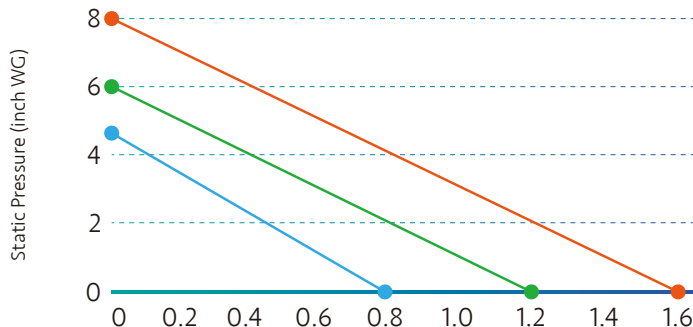
● CNC Lathe

Chuck x Length	Model
6 inch x 8"	CT-1300
8 inch x 16"	CT-1300
8 inch x 40"	CT-1700
10 inch x 30"	CT-1700
10 inch x 60"	CT-2400
12 inch x 30"	CT-1700
12 inch x 60"	CT-2400
15 inch x 40"	CT-2400

Capability

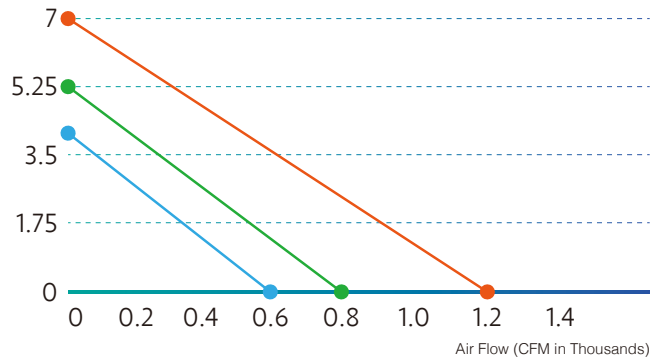
60 Hz

CT-1300 CT-1700 CT-2400



50 Hz

CT-1300 CT-1700 CT-2400



Specification

CT-1300

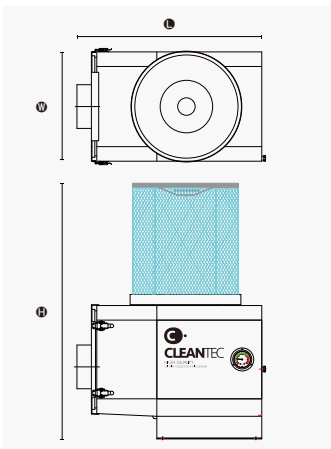
CT-1700

CT-2400


	CT-1300	CT-1700	CT-2400
Power Voltage	220-240VAC, 60Hz, 3ph		
Motor	1/4 HP	1/2 HP	1 HP
Max. AirFlow *	770 cfm	990 cfm	1380 cfm
Max. Pressure *	4.7 inH ₂ O	5.94 inH ₂ O	7.86 inH ₂ O
Noise	68 dB(A)	69 dB(A)	72 dB(A)
Weight	92 lbs	104 lbs	145 lbs
Inlet Size	φ 6"	φ 6"	φ 8"
Filtration Efficiency	99.95% (0.3μm or more), EU H13 class by EN1822		
Working Environment	0 - 122°F, 90% RH or less (Indoor Condition)		

*Specifications subject to change without notice.

Outer Dimension



CT-1300	
L	24"
W	15"
H	29"

CT-1700	
L	25"
W	15.5"
H	34"

CT-2400	
L	29.5"
W	18.5"
H	37"

Distributor



HEPA H13
99.95%



POWER
SAVING



BIG AIR
VOLUME